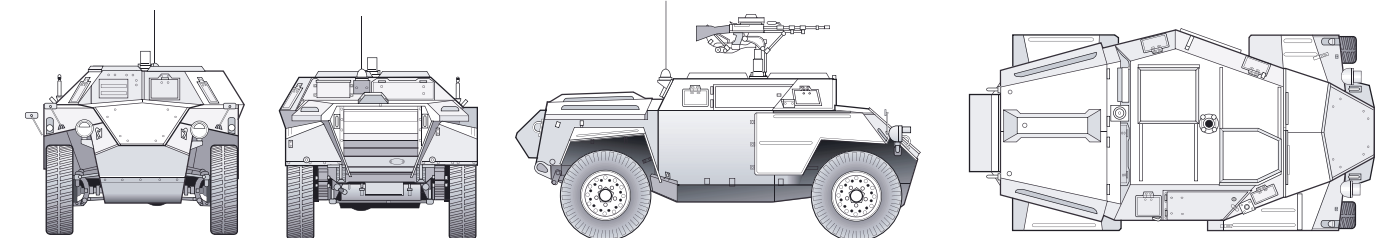
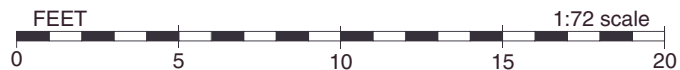
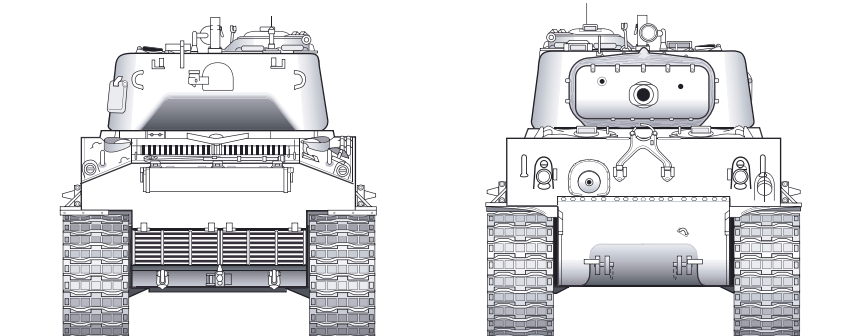
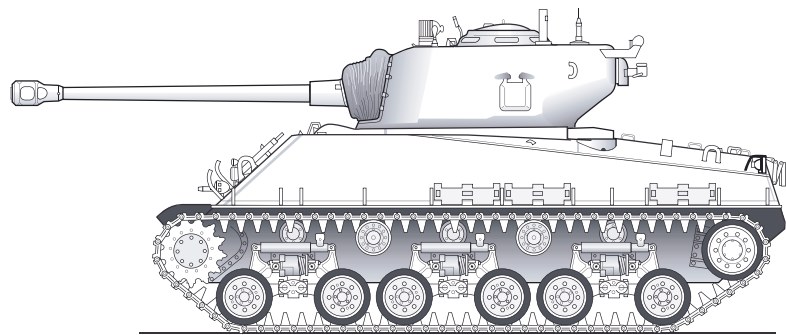
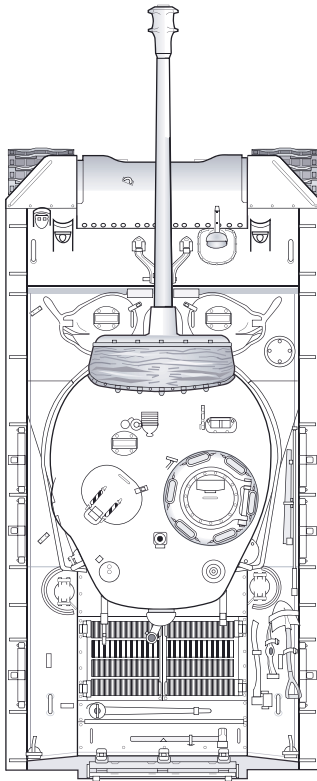


WORLD WAR II AFV PLANS

ALLIED ARMORED FIGHTING VEHICLES

1:72 SCALE



GEORGE BRADFORD

**ALLIED
ARMORED
FIGHTING VEHICLES
1:72 SCALE**

GEORGE R. BRADFORD

STACKPOLE
BOOKS



0 11557 03570 4

Copyright © 2009 by George Bradford

Published by
STACKPOLE BOOKS
5067 Ritter Road
Mechanicsburg, PA 17055
www.stackpolebooks.com

All rights reserved, including the right to reproduce this book or portions thereof in any form or by any means, electronic or mechanical, including photocopying, recording, or by any information storage and retrieval system, without permission in writing from the publisher. All inquiries should be addressed to Stackpole Books, 5067 Ritter Road, Mechanicsburg, Pennsylvania 17055.

Cover design by Wendy A. Reynolds

Printed in the United States of America

10 9 8 7 6 5 4 3 2 1

FIRST EDITION

Library of Congress Cataloging-in-Publication Data

Bradford, George.

Allied armored fighting vehicles : 1:72 scale / George Bradford. — 1st ed.
p. cm. — (World War II AFV plans)

Includes bibliographical references.

ISBN 978-0-8117-3570-4

1. Armored vehicles, Military—History—20th century—Pictorial works. 2. Tanks (Military science)—History—20th century—Pictorial works. 3. World War, 1939–1945—Equipment and supplies—Pictorial works. 4. Allied Powers (1919–)—Miscellanea. 5. Measured drawing. I. Title.

UG446.5.B6817 2009

623.7'475—dc22

2009011864

CONTENTS

UNITED STATES

M2A4 Light Tank	7	M4A2(76)W Sherman Medium Tank	31
M3A1 White Scout Car	7	M39 Armored Utility Vehicle	31
M2A1 Medium Tank	8	M24 Chaffee Light Tank	32
M2 Half-Track Car	8	M22 (T9E1) Locust Light Tank	32
T16 Half-Track Car	9	LVT(A)-1 Amphibious Landing Vehicle	33
Marmon-Herrington CTMS-1TB1 Light Tank	9	LVT(A)-4 Amphibious Landing Vehicle	34
Marmon-Herrington MTL5-1GI4 Light Tank	10	T1E3 Aunt Jemima Mine Exploder	35
M3 75mm Gun Motor Carriage	10	M36 90mm Gun Motor Carriage	36
M3 Stuart I Light Tank (early)	11	M36B1 90mm Gun Motor Carriage	36
M3 Lee Medium Tank (early)	11	M37 105mm Howitzer Motor Carriage	37
M4A1 Sherman Medium Tank (early)	12	Sherman Calliope Rocket Launcher	37
T19 105mm Howitzer Motor Carriage	12	GMC DUKW-353	38
T30 75mm Howitzer Motor Carriage	13	M29C Weasel Cargo Carrier	38
M4 Sherman Medium Tank 75mm (Dry)	13	M4A3(76)W HVSS Sherman (M4A3E8)	39
M3 Lee Medium Tank (late)	14	M26 Pershing Medium Tank	39
M3A1 Lee Medium Tank	14	T26E4 Super Pershing	40
M3A1 Stuart III Light Tank	15	T28 Superheavy Tank	41
M4A2 Sherman Medium Tank 75mm (Dry)	15		
M15 Multiple Gun Motor Carriage	16	BRITAIN	
M8 Scott Howitzer Motor Carriage	16	Vickers Medium Mk. II** Tank	42
M2A1 Half-Track Car	17	Rolls-Royce Armored Car	42
M9A1 Half-Track	17	Mk. I Cruiser Tank (A9)	43
M3A4 Lee Medium Tank	18	Morris CS9/LAC Armored Reconnaissance Car	43
T13 Armored Car	18	Matilda Infantry Tank Mk. I (A11)	44
T18E2 Boarhound Heavy Armored Car	19	Mk. III Cruiser Tank (A13 Mk. I)	44
M29 Weasel Cargo Carrier	19	Mk. IV Cruiser Tank (A13 Mk. II)	45
T17 Deerhound Medium Armored Car	20	Mk. IVA Cruiser Tank (A13 Mk. II)	45
T24 Scout Car	20	Universal Carrier No. 1, Mk. I	46
T17E1 Staghound Armored Car	21	Mk. IIA Cruiser Tank (A10)	46
T17E2 Staghound Anti-Aircraft Armored Car	21	Ford Indian Pattern Carrier Mk. IIA	47
Grant I Cruiser Tank	22	Matilda Infantry Tank, Mk. IIA	47
M7 Priest Howitzer Motor Carriage	22	Mk. VIA Light Tank	48
M31 (T2) Armored Recovery Vehicle	23	Mk. VIB Light Tank	48
M8 Greyhound Light Armored Car	23	Mk. V** Cruiser Tank Covenanter III	49
M6A1 Heavy Tank	24	Humber Light Recon Car Mk. III	49
M15A1 Combination Gun Motor Carriage	24	Mk. VI Cruiser Tank Crusader I (A15)	50
M20 Armored Command Car	25	Mk. VIA Cruiser Tank Crusader II (A15)	50
M4A3 Sherman Medium Tank 75mm (Wet)	25	Bren Gun Carrier No. 2 Mk. I (A15)	51
M3A3 Stuart V Light Tank	26	Light Recon Car, Beaverette Mk. III	51
M4A4 Sherman Medium Tank 75mm (Dry)	26	Humber Scout Car Mk. I	52
M12 155mm Gun Motor Carriage	27	Grant I Cruiser Tank	52
M30 Cargo Carrier	27	Stuart I Light Tank (Honey)	53
M5A1 Stuart VI Light Tank	28	Mk. II Anti-Aircraft Light Tank	53
M10 3-inch Gun Motor Carriage	28	AEC Dorchester Armored Command Vehicle	54
M4A1 (76)W Sherman Medium Tank	29	Mk. III Infantry Tank Valentine II	54
M4A3E2 Jumbo Assault Tank	29	Mk. IIA* Infantry Tank Matilda IV (A12)	55
M18 Hell Cat 76mm Gun Motor Carriage	30	Daimler Mk. I Armored Car	55
M3A2 Half-Track	30	Bishop Self-Propelled 25-pdr	56
		Mk. VI Cruiser Tank Crusader III (A15)	56

AEC Carrier for 6-pdr Gun Mk. I Deacon	57	AMD Panhard 178 Armored Car	88
Daimler Scout Car Mk. II	57	Lorraine 1938L Armored Personnel Carrier	88
Mk. IV Infantry Tank Churchill Mk. I (A22)	58	AMD Panhard 178B Armored Car	89
Mk. IV Infantry Tank Churchill Mk. II (A22)	58	SOMUA S-35 Medium Tank	89
Staghound III Armored Car	59	Renault R-35 Light Tank	90
Mk. III Infantry Tank Valentine Mk. III & V	59	Hotchkiss H-39 Light Tank	90
Mk. IV Cruiser Tank Cromwell (A27M)	60		
Self-Propelled 17-pdr Archer	60	RUSSIA	
Churchill AVRE Carpet Layer	61	BT-5 Fast Tank (M.1934)	91
Anti-Aircraft Cruiser Tank Mk. II Crusader III	62	BT-7 Fast Tank (M.1937)	91
17-pdr Self-Propelled M10, Achilles IIC	62	BA-10M Armored Car (M.1939)	92
AEC Mk. I Armored Car	63	T-26S Light Tank (M.1939)	92
Grant Scorpion IV Mine Clearing Flail	63	SMK Heavy Tank	93
Sherman V, Crab II Flail	64	T-28 Medium Tank (M.1934)	94
Challenger Cruiser Tank (A30)	64	T-38 Light Amphibious Tank (M.1937)	94
AEC Mk. III Armored Car	65	T-35 Heavy Tank (M.1935)	95
Churchill Mk. VII Crocodile Flamethrower	65	KV-2 Heavy Tank (M.1939)	96
Sherman BARV	66	T-34 Medium Tank (M.1940)	96
Humber Mk. II Armored Car	66	KV-2 Heavy Tank (M.1940)	97
Morris Mk. II Recon Car	67	KV-1 Heavy Tank (welded) (M.1941)	97
Churchill NA75 Infantry Tank	67	T-40 Amphibious Light Tank (M.1940)	98
Mk. VII Light Tank Tetrarch	68	BA-6 Medium Armored Car (M.1938)	98
Sherman VC Firefly	68	KV-1 Heavy Tank (cast) (M.1941)	99
M3A3 Stuart V Recce	69	T-60 Light Tank (M.1941)	99
Sherman IC Firefly	69	KV-220 Super Heavy Tank	100
Mk. IV Infantry Tank Churchill Mk. V (A22)	70	Komsomolyets STZ-3 Armored Artillery Tractor	100
M3 Canal Defense Light	70	T-34/76 Medium Tank (M.1942/43)	101
Mk. III Infantry Tank Valentine Mk. XI	71	KV-1s Ekranami Heavy Tank (M.1941)	101
Comet Cruiser Tank (A34)	71	BA-64B Light Armored Car (M.1943)	102
Churchill 3-inch Gun Carrier Mk. I (A22D)	72	KV-1C Heavy Tank (M.1942)	102
Avenger (A30)	72	T-34/76 Medium Tank (M.1943)	103
Black Prince Infantry Tank (A43)	73	KV-1s Heavy Tank	103
Centurion Mk. I MBT (A41 prototype)	73	SU-122 Assault Gun (M.1943)	104
Tortoise Assault Tank (A39)	74	KV-8 Heavy Flamethrower Tank	104
		SU-76i Assault Gun	105
CANADA		BTR-40 Recon Scout Car and Troop Carrier	105
Ram I Cruiser Tank	75	T-70M Light Tank	106
Ram II Cruiser Tank	75	SU-85 Tank Destroyer	106
Grizzly I Cruiser Tank	76	SU-152 Heavy Assault Gun	107
C15-TA Armored Truck	76	ISU-122 Heavy Tank Destroyer	107
Otter Armored Car	77	ISU-152 Heavy Assault Tank	108
Sexton I Self-Propelled Gun	77	SU-76M Self-Propelled Gun	108
CMP Bofors Self-Propelled Anti-Aircraft Gun	78	KV-85 Heavy Tank	109
Ford Lynx Scout Cars I & II	78	T-34/76 Medium Tank (M.1943/44)	109
Fox Armored Car	79	SU-100 Heavy Tank Destroyer	110
Sexton II Self-Propelled Gun	79	SU-76M Self-Propelled Gun	110
Ram Badger Flamethrower Tank	80	T-34/85 Medium Tank	111
Ram Kangaroo Armored Personnel Carrier	80	T-44 Medium Tank	111
Chevrolet Field Artillery Tractor	81	IS-2m Heavy Tank	112
Windsor Carrier	81	IS-3 Heavy Tank (M.1945)	112
Skink 20mm Quad Anti-Aircraft Tank	82	SU-101 Tank Destroyer	113
FRANCE		SOUTH AFRICA	
FCM Char 2C Heavy Tank	83	Marmon-Herrington Mk. I Armored Car	114
AMD Laffly S.15 TOE Armored Car	84	Marmon-Herrington Mk. II Armored Car	114
AMC Schneider P16	84	Marmon-Herrington Mk. III Armored Car	115
Char Renault D2	85	Marmon-Herrington Mk. IV Armored Car	115
Laffly Type W15 TCC	85		
Char B1 bis Medium Tank	86	Bibliography	116
FCM 36 Light Tank	86	Basic Tank Components	117
AMC Renault ACG 1 Light Tank	87	Various Modeling Scales Chart	118
AMD Laffly 80 AM Reconnaissance Car	87		

INTRODUCTION

The eighth volume in this series of books on scale drawings of armored fighting vehicles of World War II is dedicated to 1:72 scale drawings of Allied vehicles and is meant for those AFV modelers who prefer this very popular small-scale product range. These modelers are proud to label it as “Braille Scale,” mainly because the parts are so small in some cases that you are almost forced to go by feel.

The drawings are organized in a more or less chronological order, with the earliest at the beginning and the late items at the end of their section. This is by no means a complete coverage of every vehicle from the World War II period, but it will be a great resource for anyone modeling in 1:72 scale and others who merely want a single reference book packed with multiple-view AFV plans.

The ultimate purpose of this series of books was to try to present a sequence of World War II military vehicle plan-view scale drawings all in one place. Most of these drawings display 4-view plans, but with some of the smaller vehicles, we were able to show five or more views. However, no matter how well the plans are drawn, it will always be necessary to have sufficient photo reference books as well. There are a number of “walk around” and close-up view series on the market to give the super detailers all the finer detail they could ask for.

Over the years, scale drawings of various armored vehicles have appeared in magazines and books, but never all in one place where they would be easy for the researcher or modeler to access them. Many different scales have fought for the limelight, but the more popular ones of late have boiled down to 1:35, 1:48, and 1:72 in the armor-modeling world. With this in mind, we felt that since 1:72 was the second most popular AFV scale, we should publish the series in this smaller scale also.

You will also find a chart at the beginning of this book for reducing or enlarging any of these drawings to other popular scales. The quality and accuracy of modern photocopying should make it possible for you to achieve whatever final scale you require at the lower end of 1:48 and under. However, in some cases where higher enlargement is required, you may find a certain degree of roughness.

These drawings have been created using vector-based drawing applications with line weights ranging from .25 point to 1 point, and thus should easily hold the finer detail when copying. The bulk of these drawings were done over a period of ten years and are currently among the most precise and accurate AFV drawings available. You will also notice a variance in the drawings as the art style changes slightly over the years but eventually supports shading in the majority of the later works.

SCALE CONVERSIONS

REDUCING

1:72 to 1:76 Scale = 95%

1:48 to 1:72 Scale = 66%

1:48 to 1:76 Scale = 63%

1:48 to 1:87 Scale = 55%

1:48 to 1:87 Scale = 55%

1:35 to 1:48 Scale = 73%

1:35 to 1:76 Scale = 46%

1:35 to 1:72 Scale = 49%

1:35 to 1:87 Scale = 41%

ENLARGING

1:72 to 1:35 Scale = 207%

1:72 to 1:48 Scale = 150%

1:72 to 1:16 Scale = 450%

1:48 to 1:35 Scale = 138%

1:48 to 1:32 Scale = 150%

1:48 to 1:16 Scale = 300%

1:35 to 1:32 Scale = 109%

1:35 to 1:16 Scale = 218%

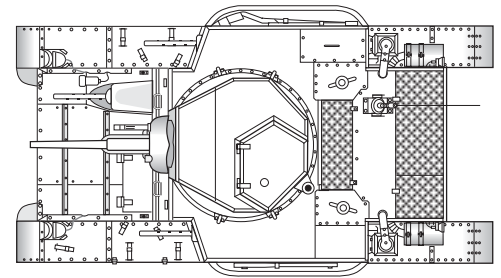
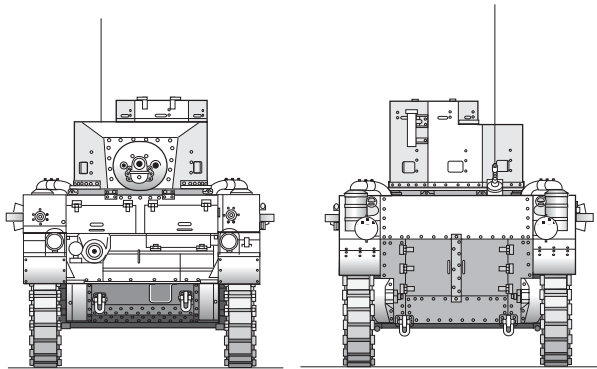
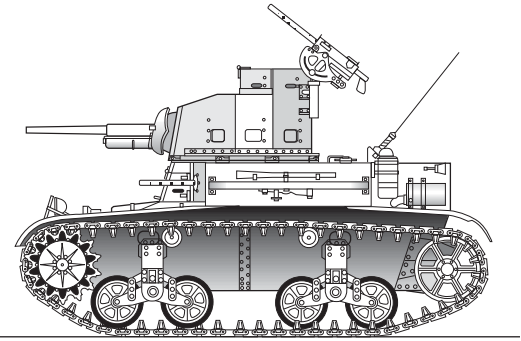
UNITED STATES

M2A4 Light Tank (early production)

By May 1940, the M2A4 Light Tank was finally into production. The eventual output was a mere 365 vehicles and ended around March 1941. An additional ten were assembled about a year later, bringing the total to 375.

Most of these were pressed into service as training vehicles by the U.S. Army during the 1940–42 period. However, 36 were also shipped to England as part of Lend-Lease.

The U.S. Marine Corps also employed the M2A4 as part of its light tank force on Guadalcanal.



M3A1 White Scout Car (late production)

During World War II, the White Motor Company was producing M3A1 Scout Cars. They were the prewar M3 Scout Car but with a wider hull and the sprung roller on the front. A total of 20,856 were built during the war to serve as anything from armored personnel carriers to command vehicles and ambulances. They came with a removeable tarpaulin top, sometimes referred to as a "tilt."

The M3A1 Scout Cars were supplied to many countries during the war, including Russia and Canada, and also soldiered on in lesser nations well after the war.

